

# LAUNDRY JET

## THE AIR POWERED LAUNDRY CHUTE



### Contact:

+ 1.800.867.4580

info@laundryjet.com

### Website :

[www.laundryjet.com](http://www.laundryjet.com)

### Address :

2001 Challenger Avenue

Suite A

Oroville, CA 95965, USA

# Welcome To LAUNDRY JET

Air-Powered Laundry Transport Systems



THE WHOLE HOUSE VACUUM  
LAUNDRY TRANSPORT SYSTEM

# Table Of CONTENTS

## Benefits of Airpower Transport

01

- Reliable automated systems
- Transport laundry from any room on any floor
- A great way to encourage children of all ages to help do laundry
- Perfect solution for physically impaired or elderly persons
- Suitable for a wide variety of items
- Ideal for both existing and new construction homes
- Time saving convenience
- Reduce clutter and flexible accessibility
- Value add
- Hygiene
- It never gets full and you can return clean clothes to a chosen room
- Regular plug and it won't take your watch, wallet, keys or kids toys

## The System's Basic Components

02

- Jet Pack Units
- Return Units
- Wall Ports
- Additional Components

## Installation of Laundry Jet Systems

03

- Engineering team support
- 3D design and rendering
- Training and support

## How to Start Your Project

04

- Get a quote

### Reliable automated systems

Cosmetic wall ports that complement the look and feel of your home. Automatic sensors shut off the system after clothing arrives and auto empties, ready for the next load.

### Transport laundry from any room on any floor

Say goodbye to the hassle of carrying heavy, awkward laundry baskets up and down the stairs. Our innovative laundry system automatically empties your laundry upon arrival in the laundry room. It effortlessly moves both dirty and clean laundry between multiple floors, saving you time and energy.

### A great way to encourage children of all ages to help do laundry.

Ports can be placed at any height in areas like bedrooms, bathrooms and closets. Designed to transport laundry only as cellphones, keys and toys are too dense to move easily through the system.





# Benefits of Airpower Transport



## **Perfect solution for the physically impaired or elderly persons.**

Not only does this solution add convenience to your daily routine, but it also enhances safety and independence, especially for the physically impaired or elderly. Embrace a smarter, easier way to manage your laundry and enjoy the freedom of a home where laundry practically does itself!



## **Suitable for a wide variety of items**

Our robust system effortlessly moves almost all clothing and linens including bedding, sheets, light blankets, large jeans, and even damp towels. Simplify laundry day with a solution strong enough to handle your toughest loads.



## **Ideal for both existing and new construction homes**

Can be installed in both single and multilevel homes. Laundry Jet systems can be designed for almost any size home from 1 to 20+ bedrooms, bathrooms or closets by adding additional ports or vacuum units.

## Benefits of Airpower Transport

---

### Time saving convenience

Dirty laundry can be deposited from any room with a port, eliminating the need to carry laundry baskets around the house. Skip collecting laundry and hauling it downstairs. Just toss it in the wall port and it gets whisked away.

### Reduced clutter and flexible accessibility

No more overflowing laundry baskets in bedrooms and bathrooms. Ports can be installed at different heights to accommodate everyone in the household, including children and those with mobility limitations.

### Value add

Automation and smart home features like Laundry Jet add value to a home when it comes time to sell.





# Benefits of Airpower Transport



## Hygiene

Dirty laundry does not linger in dirty laundry baskets around the home anymore. Dirt, germs and odors on clothing are transported to the laundry room as soon as the item is taken off.

## It never gets full and you can return clean clothes to a chosen room even back upstairs

With the auto unloading function of the Laundry Jet the receiving unit in the laundry room is never full and empties into a basket or cabinetry below whatever your preferences. This means continuous usage from the ports in the house. You can also install a return unit and have clean laundry sent back to a single room of choice for ironing, hanging or folding. This is especially useful to move clean laundry from lower floors to upper bedrooms.



## Regular plug and it won't take your watch wallet or kids toys

Laundry jet uses standard home power (110V) or 220 (International) plug avoiding the need for additional power or cabling. Due to a tight turn just after the narrower than pipe port opening, the Laundry Jet will only take light, high volume items like clothing, bedsheets towels and linens.



## The System's Basic Components

### Jet Pack Units

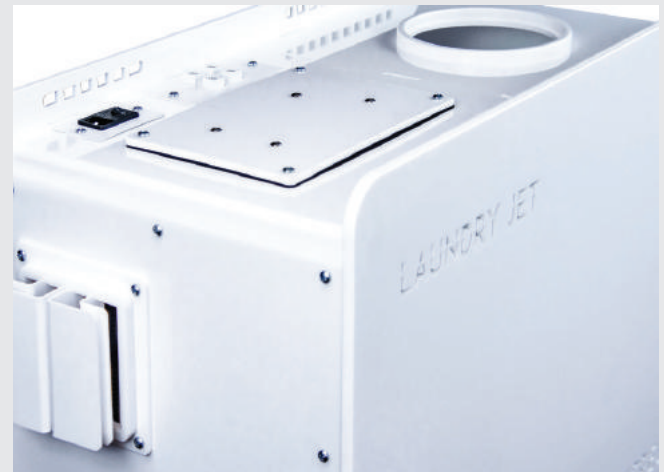
#### EXPRESS JET PACK

Introducing the Laundry Jet Express - our most affordable, entry-level wall-mounted model featuring up to two available ports. Compatible with both the Lift Port and Slide Manual Ports, it offers an automated cycle that allows you to simply insert clothes, towels, or bedding. The unit then transports your laundry and automatically empties it in the laundry room, making the system immediately ready for use again.

The Express handles up to 2 different port locations, one of which can be piped to a Return Unit option allowing the user to send clean and dried clothing back to a chosen bedroom or location in the home. The Express has a polished and reflective white gloss lux finish.

#### FEATURES

- Max 2 Ports
- Compatible with the Return Unit
- Wall mounted
- Air side vent diffuser
- Standard plug 110/120V or (220/240V International)
- Compatible with Lift and Slide Ports (NOT ISense)
- Auto emptying for continuous use
- Quiet close door as standard
- Max distance from furthest port 120ft (40m)





# The System's Basic Components

## Jet Pack Units



### SWIFT JET PACK

Laundry Jet Swift is our entry level wall mounted model with up to 4 available ports. It's unique style, easy view Perspex rectangular viewport and stunning gloss Acrylic finish add a unique and futuristic feel to any laundry room. The Swift can utilize all styles of Laundry Jet Ports (manual or automatic).

Has an automated cycle which allows the user to insert clothes, towels, or bedding leaving the system to transport and then auto empty in the laundry room, which allows the system to be immediately used again. The Laundry Jet Swift handles up to 4 different port locations and can be installed with a Return Unit option which enables the user to send cleaned and dried clothing back to a chosen bedroom or location in the home. The Swift has a polished and reflective gloss finish.

### FEATURES

- Wall-Mount high gloss white acrylic finish
- Standard US plug 110v – International option (220/240v)
- Auto close catch door
- Auto emptying for continuous use
- Automatic timed cycle completion and reset
- Uses 6" pipe (159 mm OD)(150mm pipe connection possible on request)
- Maximum number of ports 4
- Max distance from furthest port 200ft (60m)
- Uses both Manual Slide, and iSense Ports

## Jet Pack Units

### SWIFT MAX 1500CFM 50% MORE POWER

The Laundry Jet Swift MAX is our most popular medium capacity high power wall mounted model with up to 4 available ports. Its unique style, easy view Perspex rectangular viewport and stunning gloss Acrylic finish add a unique and futuristic feel to any laundry room. The Swift MAX can utilize all styles of Laundry Jet Ports (manual or automatic) and can transport laundry as far as 400 feet (120M).

The Swift MAX 's power allows the user to insert clothes, damp towels, or large bedding leaving the Swift MAX to transport and then automatically empty in the laundry room, which allows the system to be immediately used again. The Laundry Jet Swift MAX handles up to 4 different port locations and can be installed with a Return Unit option which enables the user to send cleaned and dried clothing back to a chosen bedroom or location in the home. The Swift MAX has a polished and reflective gloss finish.

### FEATURES

- Highest Powered medium capacity System
- Wall-Mount high gloss white acrylic finish
- Standard US plug 110 v – International option (220/240v)
- Auto close catch door
- Auto emptying for continuous use
- Automatic timed cycle completion and reset
- Uses 6" pipe (159 mm OD)(150mm pipe connection possible on request)
- Maximum number of ports 4
- Max distance from furthest port 400ft (120m)
- Compatible with both Manual Slide, and automatic iSense Ports
- Compatible with the Return Unit for transporting clean clothes back to the bedroom(s)



# The System's Basic Components

## Jet Pack Units



### PLUS INSERT JET PACK

The Laundry Jet Plus integrates seamlessly into any custom laundry room design and is our top of the range model in terms of custom style, capacity and number of ports. The Plus **installs inside your own custom cabinetry** to maintain the overall aesthetic in your laundry room while adding the maximum benefit the Laundry Jet technology.

The Plus can utilize both styles of Laundry Jet Ports (manual or Automatic) and has an automated cycle which allows the user to insert the clothes, towels, or bedding and walk away leaving it immediately ready to be used again. The Laundry Jet Plus is the highest capacity model and handles up to 8 different locations and can be installed with a Return Unit Option which enables the user to send cleaned and dried clothing back to a chosen bedroom or location in the home. The Plus has a polished and reflective gloss finish.

### FEATURES

- Wall Mounted Inside your Custom Cabinet
- Standard plug 110 v
- International option (220/240v)
- Auto emptying for continuous use
- Auto timer shut off. – Installer adjustable 10-24 seconds depending on distance from furthest port)
- Uses 6" pipe (6.25" – 159 mm OD)
- Maximum number of ports 8
- Max distance from furthest port 200ft (60m)
- Uses both Slide and iSense ports



## The System's Basic Components

### Jet Pack Units

#### PLUS MAX 1500CFM 50% MORE POWER

The Laundry Jet Plus MAX is our highest powered Option giving outstanding performance at highest speeds, handling the most demanding laundry over the longest distance (400feet). The Plus MAX integrates seamlessly into any custom laundry room design and is our top of the range model in terms of custom style, power, capacity and number of ports.

The Plus MAX **installs inside your own custom cabinetry** or on your wall to maintain the overall aesthetic in your laundry room while adding the maximum benefit the Laundry Jet technology. The Plus MAX can utilize both styles of Laundry Jet Ports (manual or automatic) and with the iSense Port has an automated cycle which allows the user to insert the clothes, towels, or bedding and walk away leaving it to close automatically and be immediately ready to be used again. The Laundry Jet Plus MAX is the highest capacity and highest powered model and handles up to 8 different locations and can be installed with a Return Unit Option which enables the user to send cleaned and dried clothing back to a chosen bedroom or location in the home.

#### FEATURES

- Highest Power Option
- Wall Mounted Inside your Custom Cabinet
- Standard plug 110 v
- International option (220/240v)
- Auto emptying for continuous use
- Uses 6" pipe (6.25" – 159 mm OD)
- Maximum number of ports 8
- Max distance from furthest port 400ft (120m)
- Compatible with iSlide and iSense ports
- Compatible with Return Unit



# The System's Basic Components

## Return Units



### RETURN UNIT

All systems are compatible with the Return Unit. The Return Unit can be installed in a bedroom, closet, or other room where the user desires clean laundry to be returned to. After the laundry is cleaned, open the port in the laundry room, feed clean laundry into the open port, and clean laundry will be transported to the Return Unit. The clean laundry is transported through a separate pipe than the one used to bring the dirty laundry to the laundry room, this helps keep clean laundry clean. The Return Unit is a great feature to add to any home to create a closed circuit laundry system for transporting laundry to and from the laundry room.

### FEATURES

- Wall Mounted Inside your chosen bedroom or ironing location
- Can also be put in a custom cabinet if required
- No power required
- Manual emptying
- Uses 6" pipe (6.25" – 159 mm OD)
- Maximum number of ports 1 ( located in the laundry room)
- Max distance from furthest port 80ft (25m)
- Uses Lift, iSlide and automatic iSense ports (purchased separately)

### RETURN UNIT XP

Same Features as the standard Return Unit with a 1/2 load capacity.

## The System's Basic Components

### Wall Ports

#### ISENSE PORT

The Laundry Jet iSense Port is our latest automatic port design. It is a fully automatic port using sensing technology for easy hands free use. It provides the simplest, easy to use, auto open, auto close functionality. Constructed of durable gloss plastic the iSense Port is simply mounted by screws to the wall, with the pipe connecting to a simple collar at the rear.

It is opened by just quickly waving your hand three times past the motion sensor (eye), thus activating the Laundry Jet System. The sensor is set to close proximity so it won't be started accidentally.

#### FEATURES

- Wall Mounted Inside bedrooms, pantries, closets, or bathrooms.
- Fully Automated port
- Wave to activate cycle
- Auto close
- Uses 6" pipe (6.25" – 159 mm OD) or optionally International 150 mm pipe
- Return Unit compatible
- Air noise approx. 22 Decibels (whisper quiet)





# The System's Basic Components

## Wall Ports



### SLIDE PORT

The Laundry Jet Slide Port is our latest manual port design. It is aimed as a economic port while still retaining the functionality and style of the Laundry Jet brand and matches perfectly with modern design. It provides the simplest, easy to use, manual open functionality. Constructed of durable plastic, the Slide Port is simply mounted by screws, to the wall. It is opened by just sliding the port door open, activating the Laundry Jet system.

It can be installed in 4 different orientations depending on your desired location giving maximum flexibility. For example you can install it to open to the left because of a door jam on the right and vice a versa, including up and down if required for maximum design and installation flexibility. Once opened, the dirty laundry, bed sheets and even damp towels are simply fed into the now open port and drawn away to the laundry room. Once the user has fed the last item and the cycle has finished, they can gently slide the door closed ready for the next use.

### FEATURES

- Wall Mounted Inside bedrooms, pantries, closets, or bathrooms.
- Slide to activate cycle
- Manual close
- Two handed laundry feeding
- Uses 6" pipe (6.25" – 159 mm OD) or optionally International 150 mm pipe
- Return Unit compatible
- Air noise approx. 22 Decibels (whisper quiet)

## Wall Ports

### LIFT PORT

The Laundry Jet Lift Port is our entry level manual port design. It is aimed as an extremely economic port while still retaining the functionality and style of the Laundry Jet brand and matches perfectly with modern design. It provides the simplest, easy to use, manual open functionality. Constructed of durable hi gloss lux materials the Lift Port is simply mounted. It is opened by just lifting and holding the port door open and this activates the timed cycle. Once opened, the dirty laundry, bed sheets and even damp towels are simply fed one handed into the port and drawn away to the laundry room. Once the user has fed the last item and the cycle has finished, they can gently lower the door closed ready for the next use.

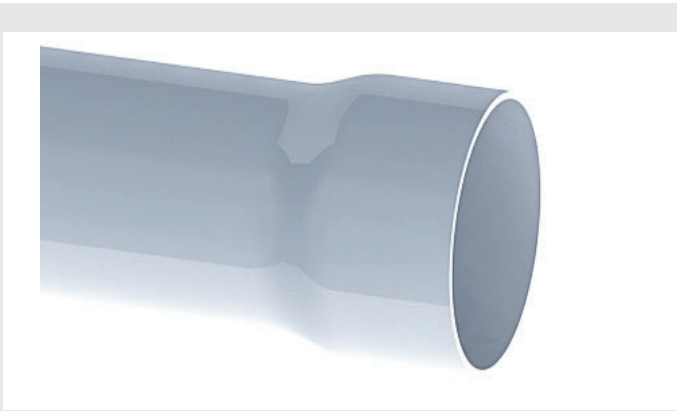
### FEATURES

- Manual lift and hold opening
- White plastic high gloss finish
- Smallest port footprint
- Soft close action
- 1 handed laundry feeding
- Auto Timer shut off
- Compatible with the Laundry Jet Return Unit
- Compatible with Express and Swift only
- DIY or Contractor install if certified
- Uses 6" pipe (6.25" – 159 mm OD) or optionally International 150 mm pipe
- Air noise approx. 22 Decibels( whisper quiet)



# The System's Basic Components

## Additional Components



### ADDITIONAL COMPONENTS

Here are a list of components you will need to install our Laundry Jet system.

You may purchase these items directly from us or from a third party.

- 6" SDR35 White Solvent Weld PVC pipe 10' x 6"
- 6 Inch Wye
- 6 Inch 45° Elbow
- 6 Inch Coupler
- 6 Inch Cleanout
- 6 Inch Swept 90°
- Cable Bundle
- Plumber's Metal Strapping Tape
- Clear 2 Part PVC Glue
- 1" Wood Screw
- Mount Hardware



## DIY

For advanced DIY'ers you can install Laundry Jet yourself. We have a full suite of instructions and a comprehensive online training course (which must be completed for warranty validity prior to install).

## Local Contractor

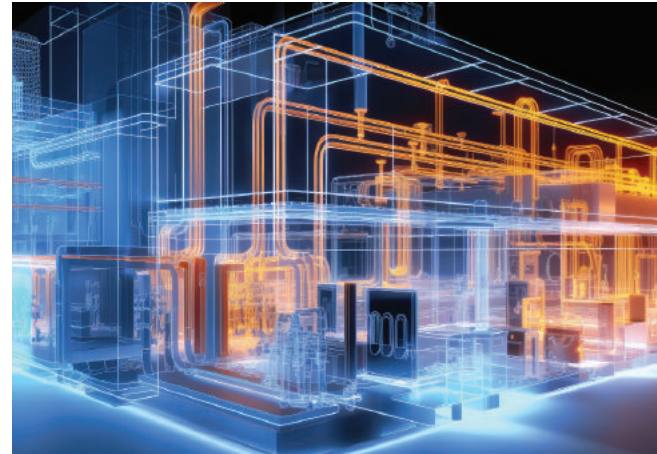
Hire your own local contractor to do the course and install for you. Ask for help from our growing network. We can help find you contractors as our network of trained companies and individuals grows, just email a installer request to [info@laundryjet.com](mailto:info@laundryjet.com).

## 3D Design support for Architects and Designers

We provide expert assistance and support for pipe layouts, port locations, and the design of your Laundry Jet System.

## Training, System Support, and Service

We offer expert ongoing technical support to ensure your system operates smoothly throughout its lifecycle. Our comprehensive online training is designed for advanced DIY enthusiasts, general contractors, and home builders. Additionally, we provide live chat and live video assistance—including FaceTime—scheduled in advance to suit your needs.



## Get a Quote

Submit your information through our website's inquiry form to initiate the engagement process. We'll work closely with you to understand your unique requirements. Click here to submit your details: <http://bit.ly/LJquoteandinfo>



# LAUNDRY JET

Laundry Jet | 2001 Challenger Avenue, Suite A | Oroville, CA, USA 95965

+1.800.867.4580 | [www.laundryjet.com](http://www.laundryjet.com) | [info@laundryjet.com](mailto:info@laundryjet.com)

